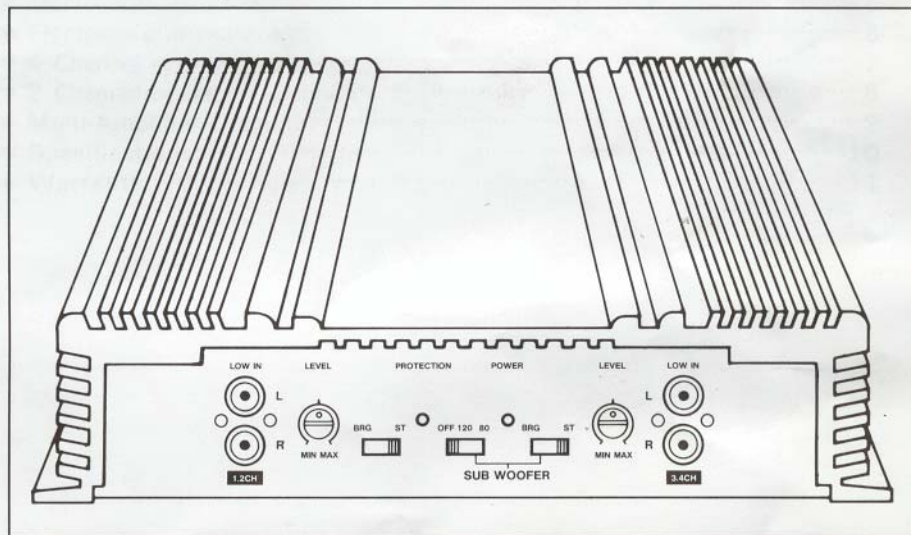


Crossfire

CT-4120

120W × 4 = 480W

- MOSFET POWER SUPPLIES
- FULLY COMPLIMENTARY AUDIO STAGES
- HEAVY CURRENT CAPABILITY
- SLIM-LINE DESIGN
- SUBWOOFER FUNCTION
- BRIDGEABLE INTO 4ohms
- 3 CHANNEL OPERATION CAPABILITY



OWNER'S MANUAL

paramount audio

paramount audio

Thank you for choosing a PARAMOUNT AUDIO entertainment product.
This unit will give you listening pleasure for many years.
To enjoy all of the high technical functions of the unit
with safety, please read the installation and operation instructions in this manual.
and keep it for reference.

TABLE OF CONTENTS

* Input Control and Indicators.....	3
* Power connections and Amplifier Safeguards.....	4
* Mechanical Insfallation.....	5
* Electrical connections.....	6
* 4 Channel operation Diagram.....	7
* 2 Channel operation Diagram.....	8
* Multi-Amplifier Diagram.....	9
* Specifications.....	10
* Warranty.....	11

paramount audio

Input Control and Indicators

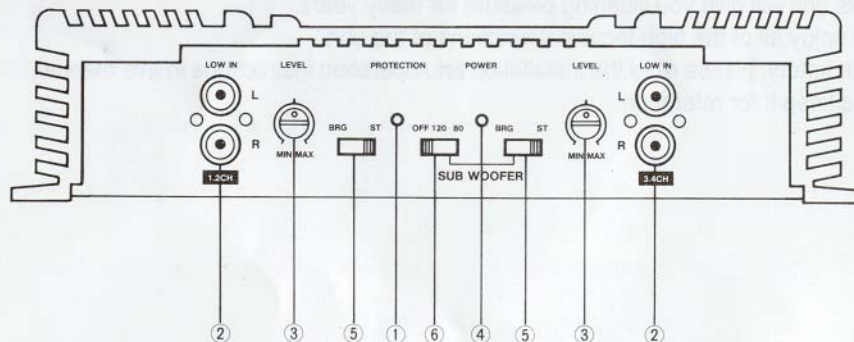


Fig. 1

FEATURES AND CONTROLS

- ① **Protection Lamp-RED**
Shorting the speaker leads, DC on the speaker leads or an over temperature condition will cause the amplifier's protection circuits to shut the unit off until the fault condition is corrected. There is a 1-2 second delay from when the protection circuit is activated until the protection lamp comes on.
- ② **RCA Low Level Input Jacks**
Allows left and right input channels to be connected to the amplifier by means of RCA plugs.
- ③ **GAIN Control**
Adjustable compensation for input sensitivities between 150mV-3V. Turning clockwise increases the sensitivity.
- ④ **Power Lamp-GREEN**
Indicates power is applied to the amplifier. Note there is a 4-5 second delay after power on before power lamp & speaker outputs are present.
- ⑤ **BRIDGED MODE**
Negative speaker terminals on amplifier are not used in bridged mode. Bridging is done by summing positives. Be sure to change the bridge switch knobs for proper operation.
- ⑥ **Subwoofer filter(100 Hz)**
Switch In ON position in case of Subwoofer Installation. In OFF position, it will not operate (wide-range response).

paramount audio

Power Connections and Amplifier Safeguards

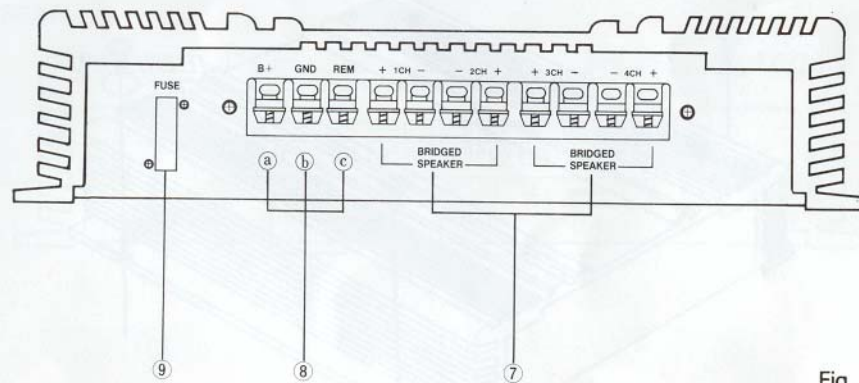


Fig. 2

⑦ **SPEAKER TERMINAL**

Left and Right channel speaker terminals connect the speaker systems to this system.

⑧ **DC POWER TERMINAL**

It provides connections for +12V DC power.

The power wires are held securely in the terminal by lugs and screws accessible at the rear panel of this system.

Ⓐ **REMOTE**

Remote terminal connects the control wire which provides remote power turn-on and off of this system by the radio/cassette player or dash mounted switch.

Ⓑ **GROUND**

Ground terminal connects the ground wire from the connection point on the chassis of the automobile.

Ⓒ **12V DC**

+12V DC terminal connects the power supply wire from the positive terminal of the battery.

⑨ **FUSE**

Power fuse protects both this system and the automobile electrical system from fault conditions.

The fuse is a standard automotive type. The capacity is 20A/32V

paramount audio

Mechanical Installation

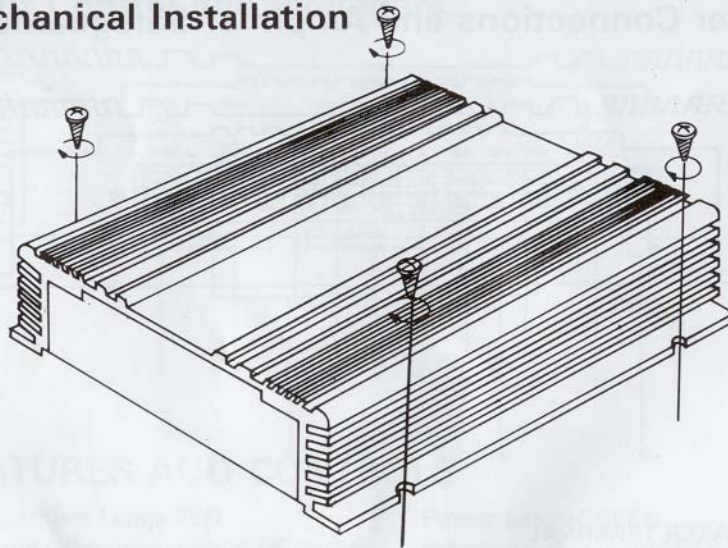


Fig. 3

The quality of the installation will affect the system performance and reliability. When you consider the complexity of installation you may wish to seek professional services. Your dealer can provide such services or will be able to recommend a professional installer in your area.

The amplifier is generally mounted in the rear trunk area of most vehicles but can be mounted in other locations such as beneath a seat. When considering the mounting location it should be considered that minimizing power supply wires and speaker wires will minimize power losses in the wires and will provide higher audio output from the system. It is important to ensure that the cooling fins of the heat sink are not against a panel or a surface thus preventing air circulation.

Ensure that the mounting area is flat, otherwise the amplifier may be twisted and internal connections may become damaged. Mark the locations for the mounting screw holes by using the amplifier as a template and marking the positions of the four screw holes. Use a 5/32" drill to make the actual holes. Using the mounting screws supplied in the accessory kit, firmly screw the amplifier in place so that it will not vibrate during vehicle motion.

(refer to Figure 3).

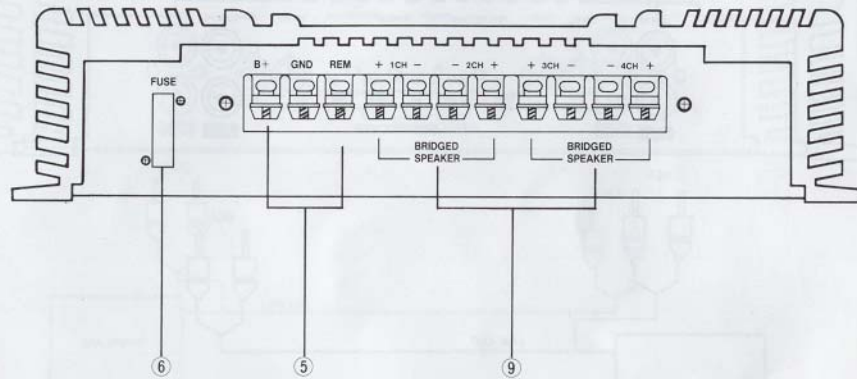
CAUTION : Investigate the layout of your automobile thoroughly before drilling or cutting any holes. Take care when working near the gas tanks, gas lines, hydraulic lines or electrical wiring.

DO NOT USE THE POWER AMPLIFIER UNMOUNTED.

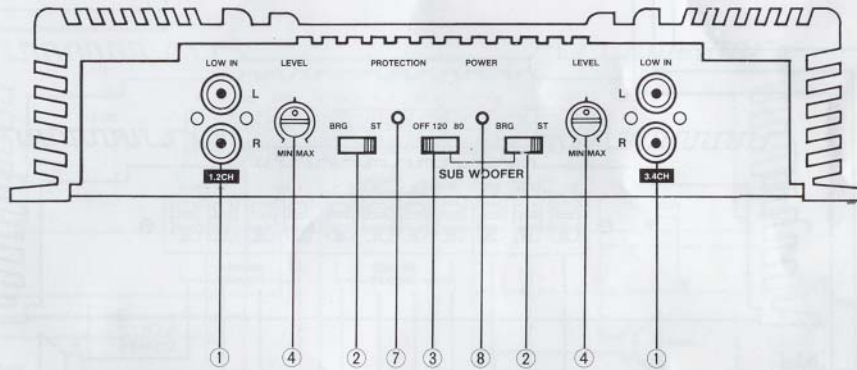
paramount audio

ELECTRICAL CONNECTIONS

REAR



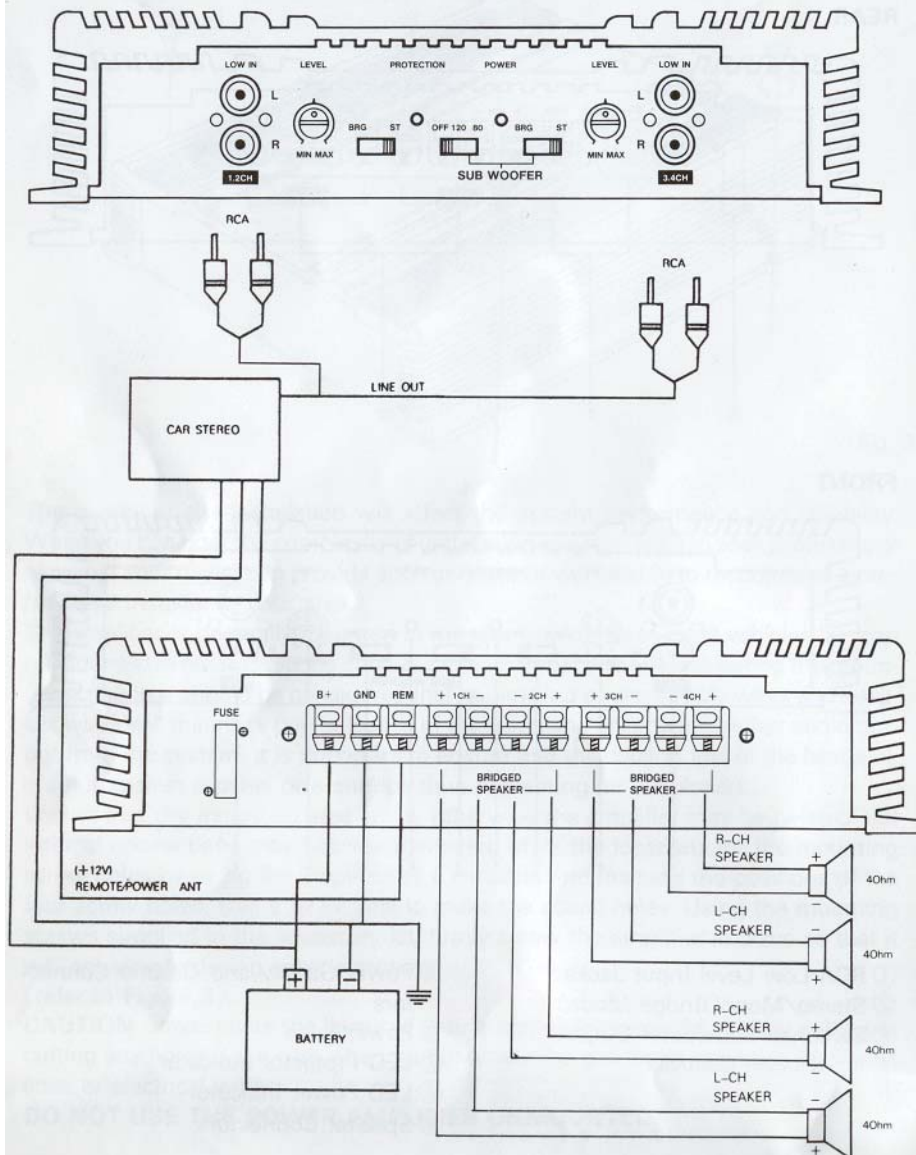
FRONT



- | | |
|-----------------------------|--------------------------------------|
| ① RCA Low Level Input Jacks | ⑤ Power Supply and Ground Connectors |
| ② Stereo/Mono(Bridge Mode) | ⑥ Power Fuse |
| ③ Switched Subwoofer Output | ⑦ LED Protector Indicator |
| ④ Input Level Controls | ⑧ LED Power Indicator |
| | ⑨ Speaker Connectors |

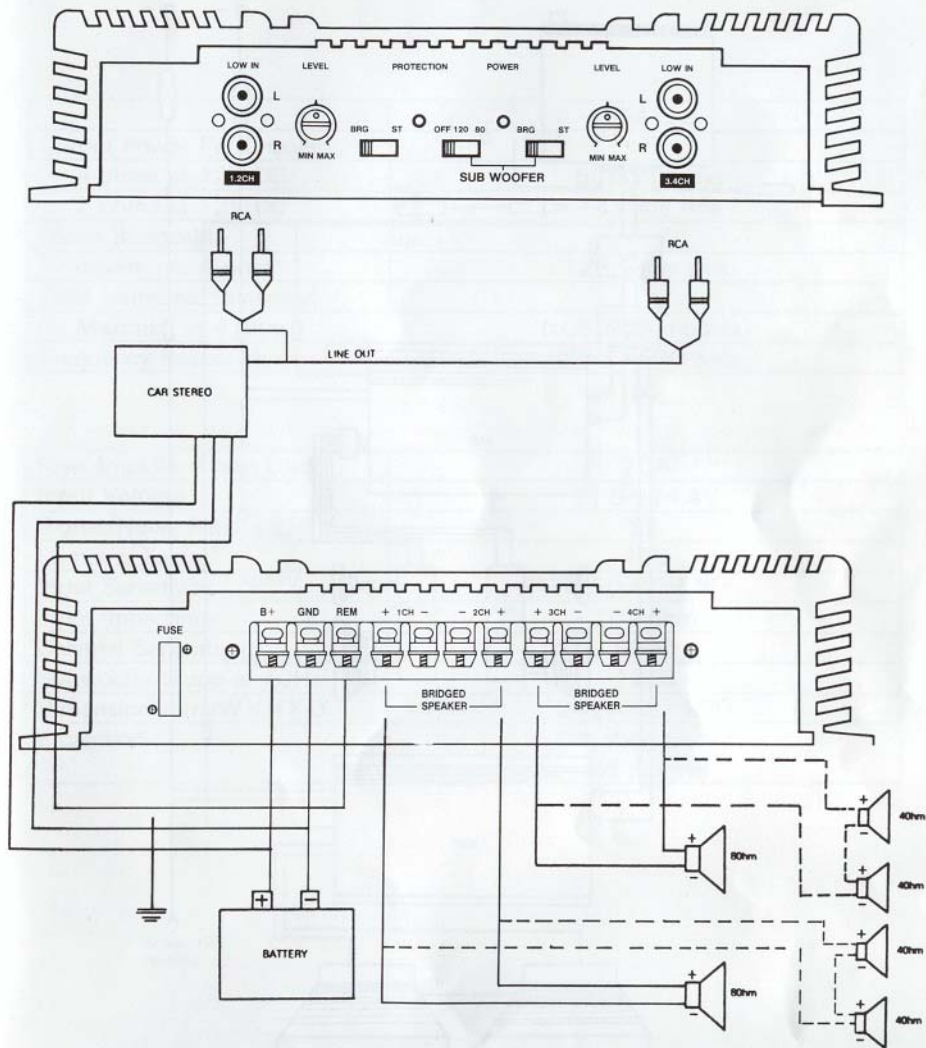
paramount audio

4 channel operation Diagram



paramount audio

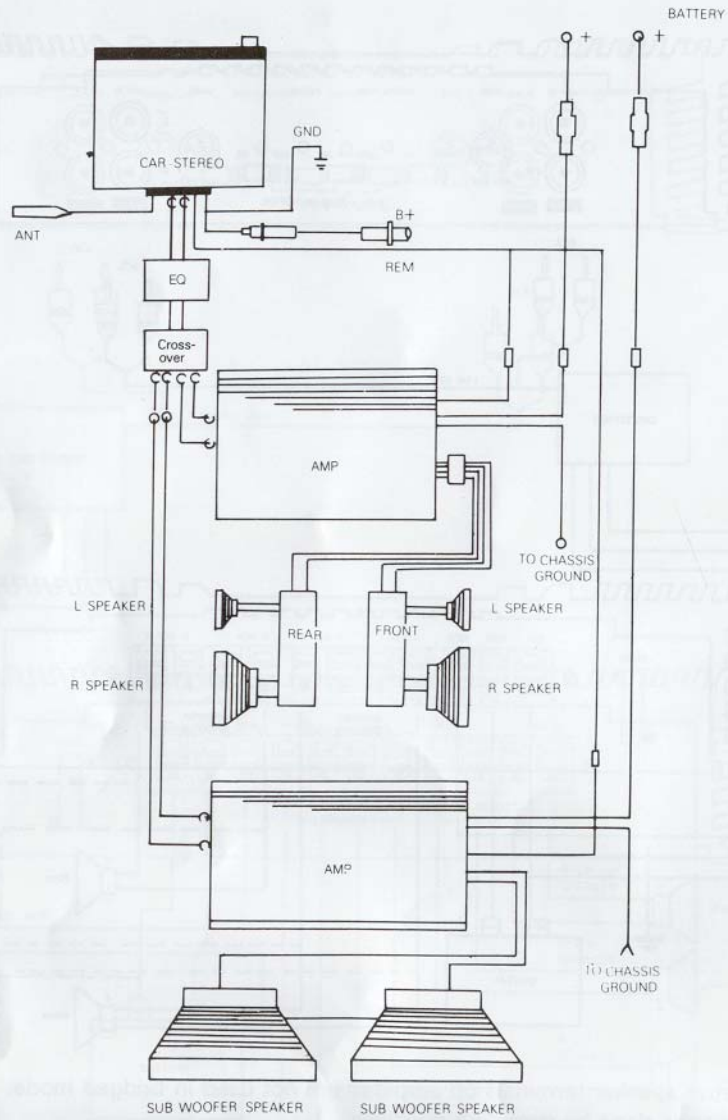
2 channel operation Diagram



Negative speaker terminals on amplifier are not used in bridged mode.
Bridging is done by summing positives.
Be sure to change the brige switch knobs for proper operation.

paramount audio

Multi-Amplifier Diagram



paramount audio

SPECIFICATIONS

	CT-4120
Output Power Per Chanel	
4 ohms at 12V DC	60 watts rms
2 ohms at 12V DC	120 watts rms
Mono Bridgeable	
driven into 4 ohm	128 watts rms
Total Harmonic Distortion	
Maximim at 4 ohm	0.05%(all models)
Frequency Response	10Hz to 30 KHz

Fuse(Amps)for 4 ohm Loads	20A
Input Voltage	11.5 – 14.4V
Signal/Noise Ratio(dB)	95
Damping Factor	400
Input Sensitivity	150mV – 3V
Input impedance	20 Kohm
Channel Separation	60dB
Subwoofer Slope at 40Hz	12dB
Dimension(mm)W×H×D	242×55×290
Protection	DC. short circuit and thermal

LIMITED WARRANTY

PARAMOUNT AUDIO Electronics Inc. warrants this product to be free from defects in material and workmanship for a period of One(1) year from the date of sale to the original consumer purchaser. If this product is proven to be defective within this One year period, PARAMOUNT AUDIO will repair or replace it(at PARAMOUNT AUDIO option) when said product is returned, with a copy of your dated sales slip, prepaid to PARAMOUNT AUDIO or to one of PARAMOUNT AUDIO's Authorized Service Stations.

THIS WARRANTY DOES NOT COVER ANY EXPENSE INCURRED IN THE RE-MOVAL AND/OR THE RE-INSTALLATION OF THIS PRODUCT.

This warranty does not apply to any PARAMOUNT AUDIO product damaged by accident, misuse, abuse, improper line voltage, fire, water, lightning, or other acts of God, or any parts or service done by anyone other than PARAMOUNT AUDIO or one of PARAMOUNT AUDIO independent Authorized Warranty Service Stations. This warranty is void if any parts or service are furnished by anyone other than PARAMOUNT AUDIO or one of its Authorized Warranty Stations.

This warranty does not cover cartons, cases, batteries, broken or marred cabinets, magnetic tapes, or any other accessories used in connection with this product or consequential damages due to a defect in the product.

Any implied warranties, including fitness for use and merchantability, are limited in duration to the period of the express warranty set forth above. No person is authorized to assume for PARAMOUNT AUDIO any other liability in connection with the sale of the product. PARAMOUNT AUDIO expressly disclaims liability for incidental and consequential damages that might be caused by this product. The remedies provided under this warranty are exclusive and in lieu of all others.

This warrant gives you specific legal rights, you may have other rights which vary from state to state or province to province. Some states, or provinces, do not allow limitation on how long warranties last, so the above may not apply to you. Additionally, some states/provinces do not allow the exclusion to limitation of consequential or incidental damages, so the above limitation or exclusion may not apply to you.

PARAMOUNT AUDIO

7325 Madison St.
Paramount, CA 90723

- KEEP YOUR SALES SLIP WITH THIS WARRANTY STATEMENT -

paramount audio

7325 Madison St.
Paramount, CA 90723
(310) 634-2745 (TEL)
(310) 634-8934 (FAX)
(800) 332-2771
(800) 3DBASS1

MADE IN KOREA